



1101 McKinley Street
Anoka, MN 55303
Phone (763) 786-6682
Fax (763) 786-2167
www.polycam.com



Part Name: Female Header Fitting

Part Number: 412-xxxx

Design

The POLY-CAM Female Header Fitting is a barbed mechanical design fitting which is hydraulically compressed into the polyethylene or pipe quality copolymer material. The fitting is fused onto the wall of pipe. This low-profile design allows probes and meters to be inserted without a longer arm. It can also be installed in caps for greater reductions.

- Sizes range from .5" to 2" NPT.
- All National Pipe Threads are made to ANSI/ASME B1.20.1 - 2013.

System Performance

The transition fitting is designed to handle the pressure rating of the HDPE pipe with a 2:1 safety factor at 73.40 degrees Fahrenheit with a minimum 50-year design life.

Quality Assurance

The transition fitting shall be manufactured by Poly-Cam, Inc. Poly-Cam, Inc. shall provide quality assurance with regards to proper installation, compatibility, performance, and acceptance.

- Manufactured to ASTM D3035, D1599, D1598, D3350
- All Fittings meet ARRA requirements.
- Manufactured in the United States of America.

Installation

HDPE pipe end: Install transition fitting to comply with the pipe manufacturer's recommended procedures. All field welds shall be completed per Plastic Pipe Institute's welding procedure for butt fusion.

Steel Fitting:

- The entrance of the coupling is tapered at the beginning.
- The polyethylene or copolymer material is cold pressed into the coupling. This allows the material to relax into the barb system.

Material

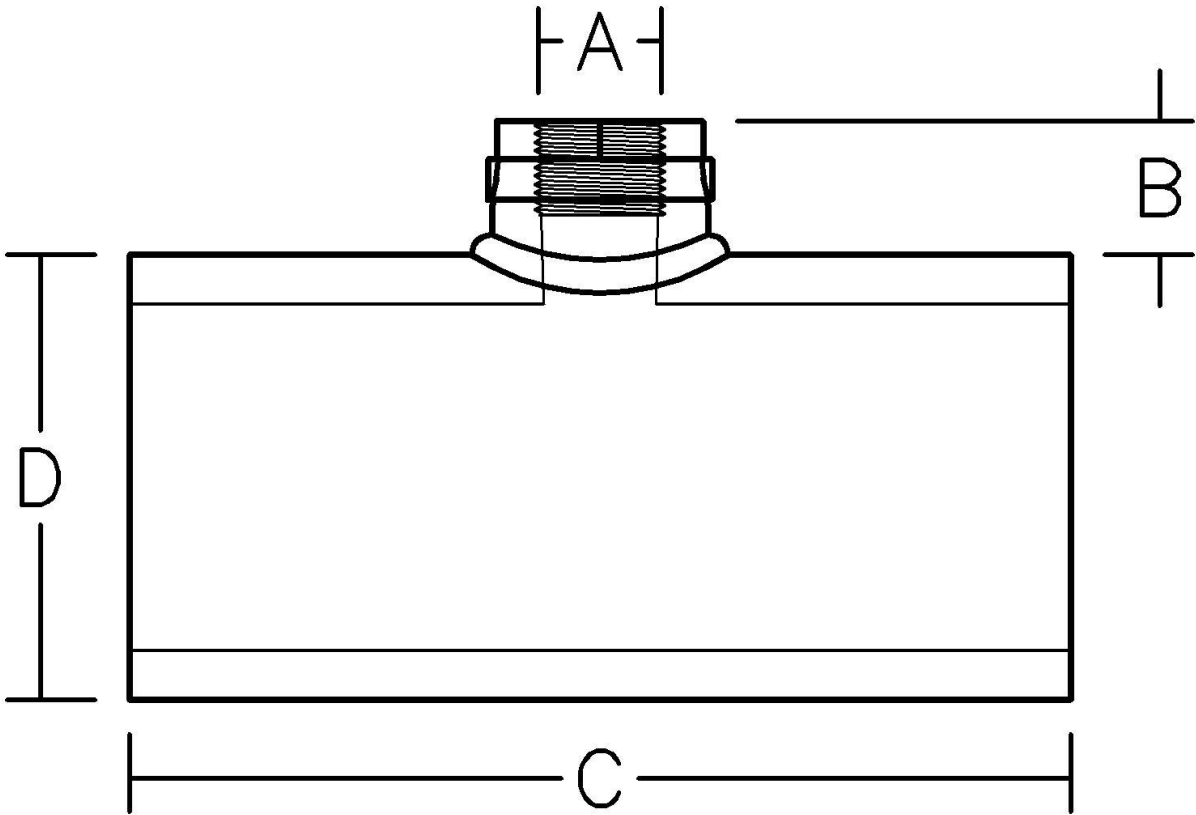
- Manufactured of C954 grade Aluminum Bronze (Lead Free material this complies with California AB1953, SB1334 and SB1935), Type 304 or Type 316 (ASTM A249 or ASTM A269) Stainless Steel ,and C360 Brass Alloy.
- Coupling is incorporated with HDPE (cell class 345454c) or pipe quality copolymer material. (PE3408, PE3608 and PE4710).
- All certifications will be submitted upon request.

Warranty

Warranty period is one year after date of substantial completion of installation.

Series 412 The NPT Female Header Fitting

Nominal Size (In.)	Coupling I.D. A	Coupling Height B	HDPE Length C	HDPE Nominal O.D. D
0.5	0.7	~1.350	16	2 or greater
0.75	0.87	~1.650	16	2 or greater
1	1.09	~1.750	16	3 or greater
1.25	1.4	~1.750	16	3 or greater
1.5	1.615	~1.750	16	4 or greater
2	2.12	~2.250	16	6 or greater



Fully pressure rated • Standard SDR sizes 7,9,11,17
 Manufactured to ASTM D3035, D1599, D1598, D3350